

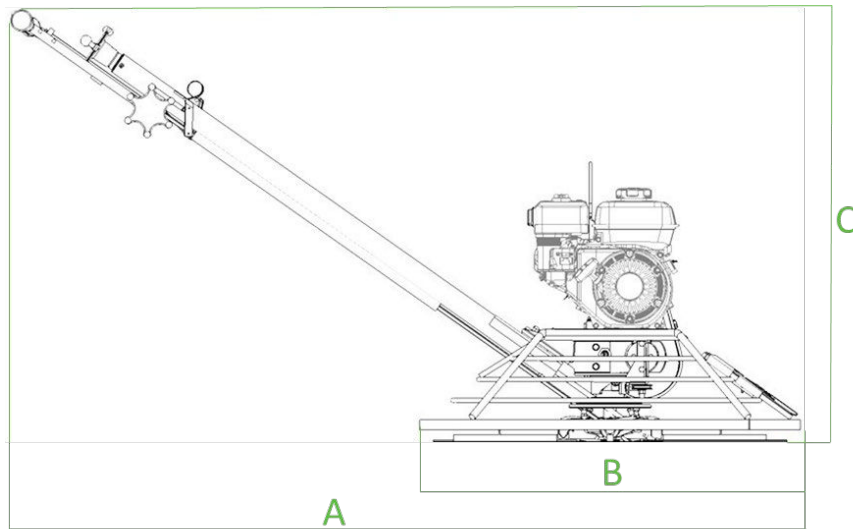
Walk-Behind Concrete Trowels



CT36

CT Technical Specifications

Weight	CT24	CT36	CT48
Operating Weight	110 lb	176 lb	220 lb
Performance Data			
Number of Blades	4	4	4
Blade Speed (RPM)	80 – 150	80 – 150	80 – 150
Troweling Diameter	24"	36"	44"
Engine			
Engine Manufacturer	Honda	Honda	Honda
Engine Model	GX160	GX160	GX270
Output Power	5.5 HP	5.5 HP	8.4 HP



Dimensions		CT24	CT36	CT48
Overall Length	A	53"	77"	82"
Ring Diameter	B	24"	37"	48"
Overall Height	C	34"	38"	38"



Optional Equipment



Quick Pitch Handle