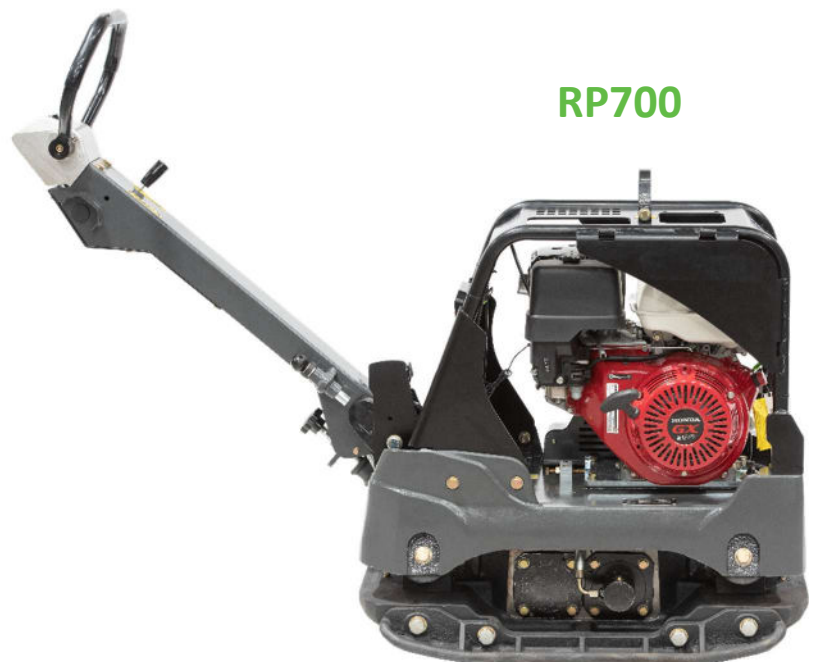


Reversible Plate Compactors

RP350



RP700

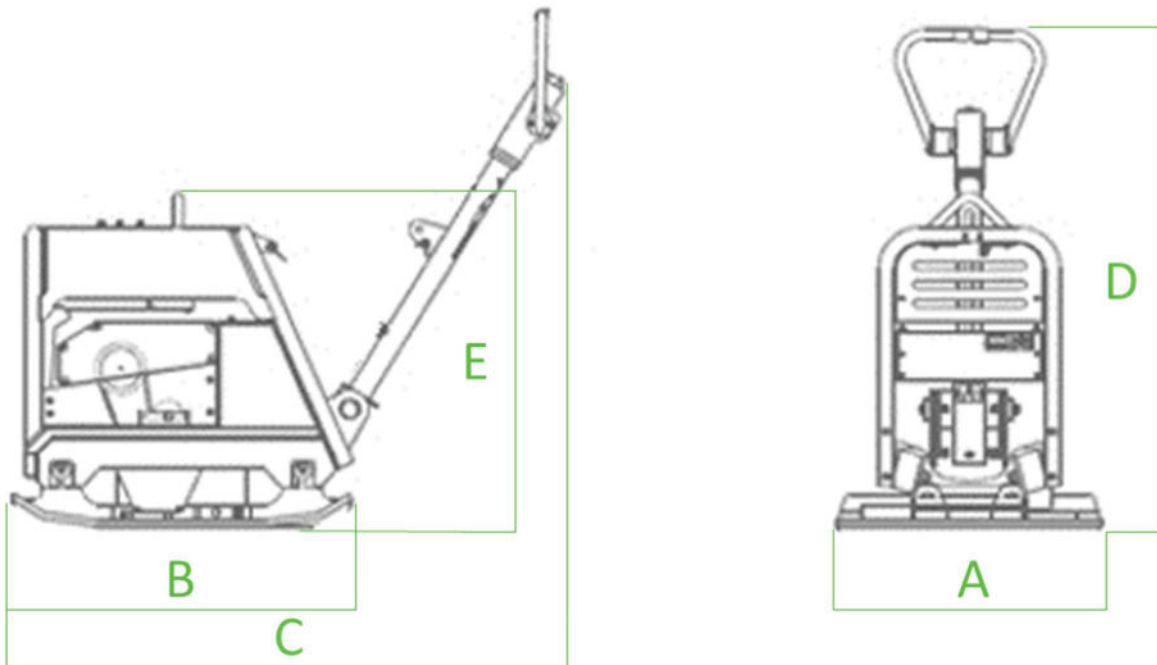


RP Technical Specifications

Weight	RP350	RP500	RP700
Operating Weight	348 lb	463 lb	732 lb

Performance Data			
Base Plate Material	Cast Iron	Cast Iron	Cast Iron
Centrifugal Force	6856 lbf	8318 lbf	10,341 lbf
Vibration Frequency	5400 vpm	5200 vpm	4400 vpm
Travel Speed	88 ft / min	86 ft / min	85 ft/min

Engine			
Engine Manufacturer	Honda	Honda	Honda
Engine Model	GX200	GX270	GX390
Output Power	6.5 HP	9 Hp	13 HP



Dimensions		RP350	RP500	RP700
Base Plate Width	A	17 in	20 in	25.6
Base Plate Length	B	27.5 in	28.5 in	35.5 in
Overall Length	C	48 in	54 in	58 in
Handle Height	D	46 in	50 in	52 in
Machine Height	E	33 in	38 in	38 in