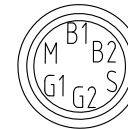
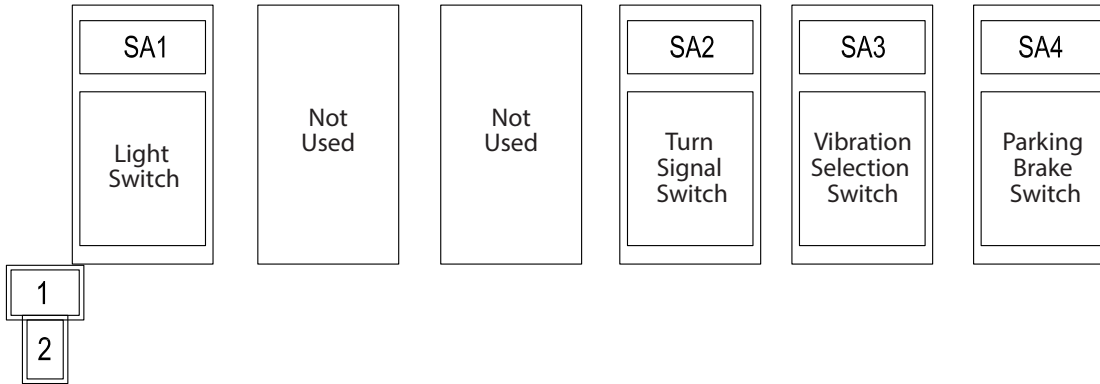


Pin #	Wire #
1	09
2	-



Key Switch

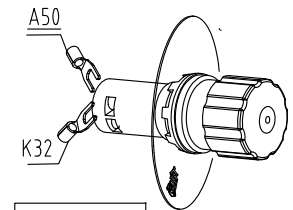
B1:	G2:
B2: B63/B63	G1:
S: 03	M: 02/04

SA1			
Wire #	Pin #	Wire #	
22a	8	7	-/-
	1	4	
7h/7i	2	5	
22/22a	3	6	
	10	9	

SA2					
Wire #	Pin #	Wire #		Pin #	Wire #
34/34	8	7	-/-		
35/35	1	4	32/32a		
33	2	5	7j/7k		
34/34	3	6	32a		
35/35	10	9	-/-		

SA3					
Wire #	Pin #	Wire #		Pin #	Wire #
47a	8	7	-/-		
36	1	4			
27a	2	5			
47/47a	3	6			
	10	9			

SA4					
Wire #	Pin #	Wire #		Pin #	Wire #
38a	8	7	-/-		
	1	4			
7k	2	5			
38/38a	3	6			
	10	9			



E-Stop	
Pin #	Wire #
13	A50
14	K32