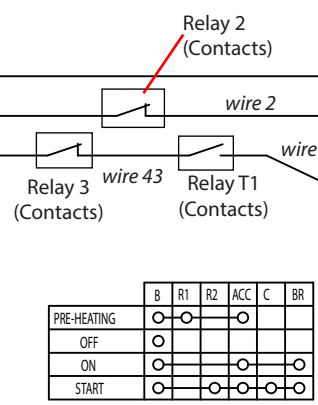
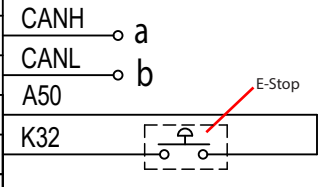


3CE RS70 Electric Schematic

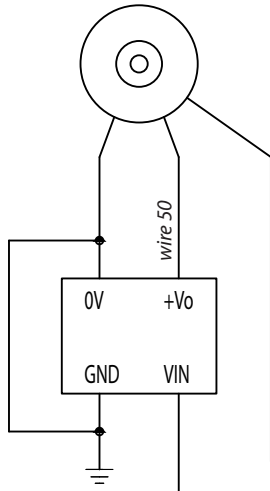
Engine Connector

Pin #	Wire #
1	K75
2	K53
3	A50
4	K32
5	K14
6	K29
7	B63
8	K88
9	K35



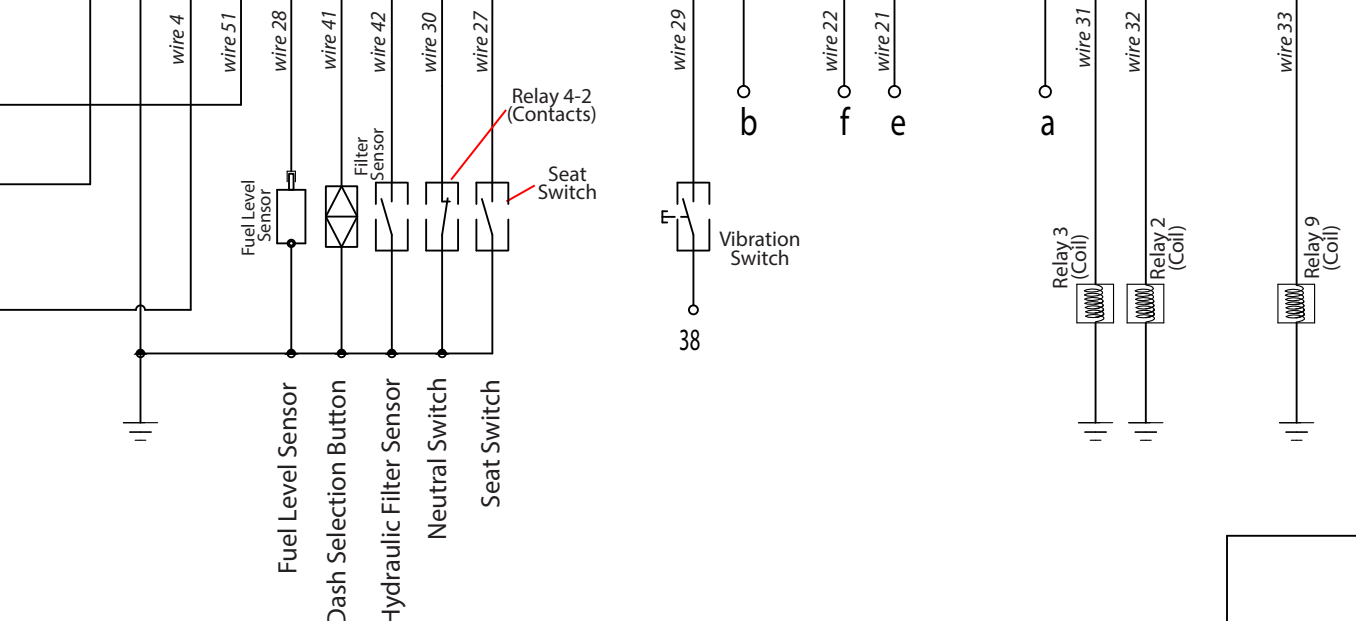
	B	R1	R2	ACC	C	BR
PRE-HEATING	○	○	○	○	○	○
OFF	○	○	○	○	○	○
ON	○	○	○	○	○	○
START	○	○	○	○	○	○

Throttle Control Knob



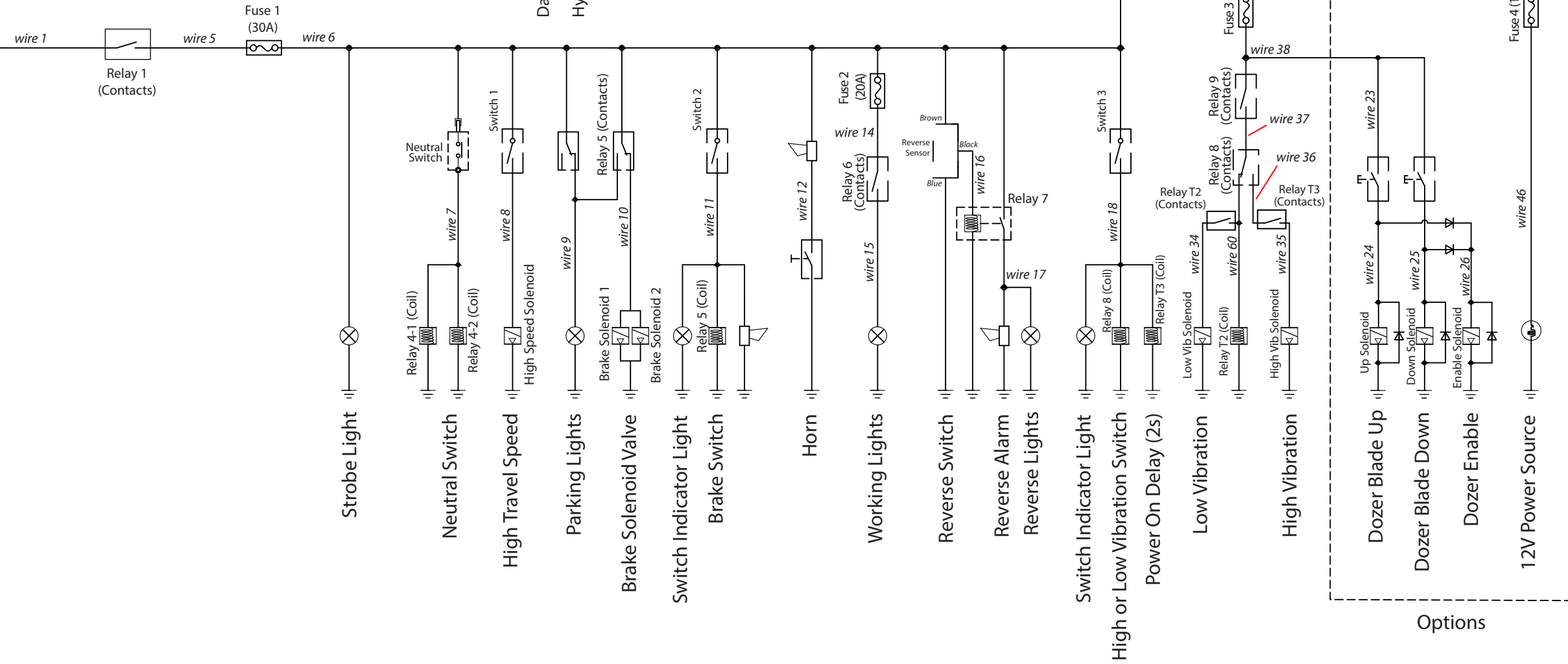
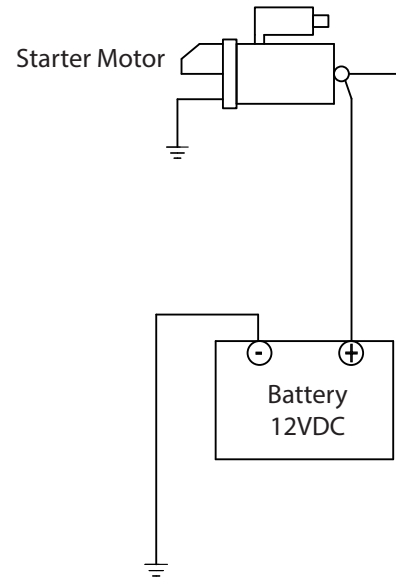
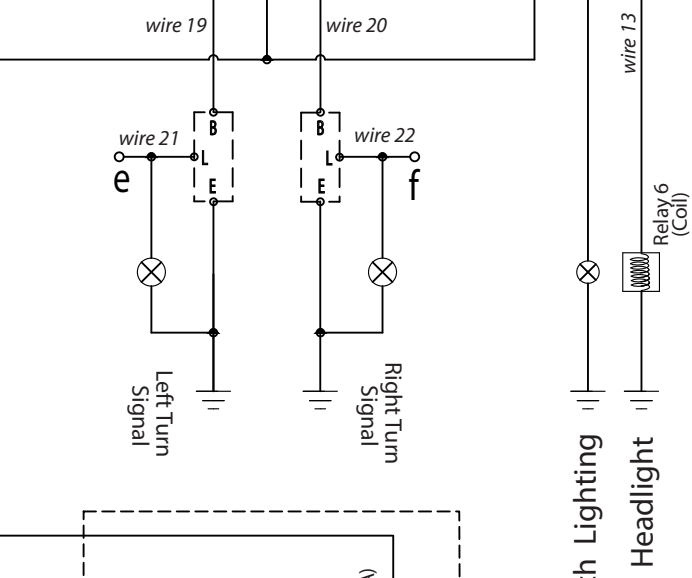
Connection to Dash

Pin	Function
A1	Battery Power +12V
A2	Ground
A3	Key On Power +12V
A4	Throttle Speed Input
A5	Fuel Level Input
A6	Dash Button Input
A7	Hydraulic Filter Input
A8	Neutral Switch Input
A9	Seat Switch Input
A10	
A11	
A12	
A13	Vibration Switch Input
A14	CAN 1 L
A15	
A16	
A17	Left Turn Input
A18	
A19	
A20	CAN 1 H
A21	Prevent Engine Crank
A22	Command Engine Off
A23	
A24	
A25	Vibration on output
A26	



Turn Signal and Light Switch

Turn	Lights		
	Headlight	Interior	Turn
Right			○
Left	○		○



Options

Switch Lighting
Headlight

3CERS70E | electricSchneidmattic